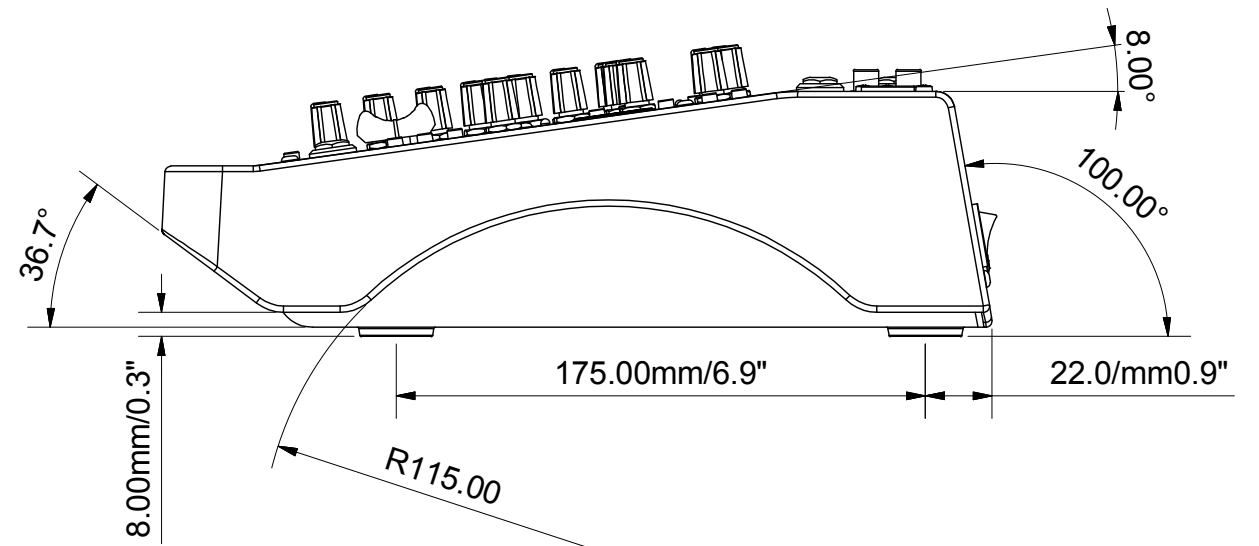
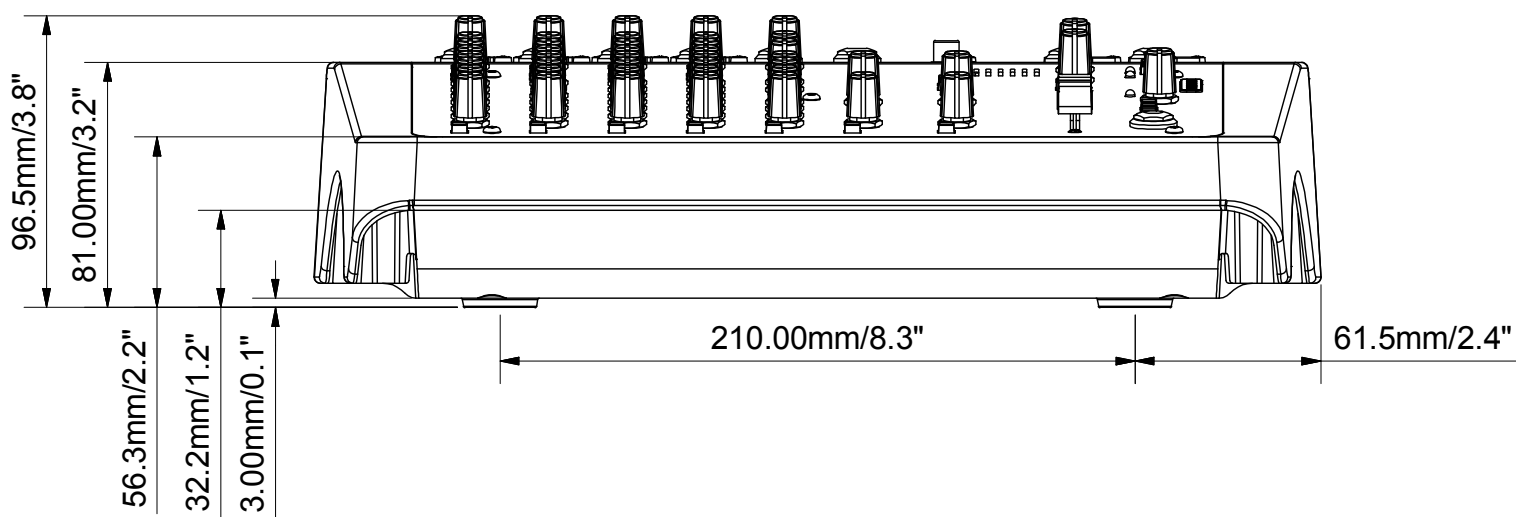


ZEDi-10 - Without box

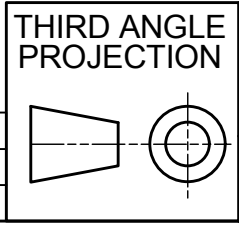
Width - 332.9mm/13.1"
 Depth - 274.6mm/10.8"
 Height - 96.5mm/3.8"
 Weight - 2.2kg/4.85lbs

ZEDi-10 - With box

Width - 445mm/17.5"
 Depth - 328mm/12.9"
 Height - 138mm/5.4"
 Weight - 3kg/6.6lbs



| REVISION HISTORY | | | | |
|------------------|-------------|-----|------------|----------|
| REV | DESCRIPTION | ECN | DATE | APPROVED |
| A | ORIGIN | | 10/08/2015 | ALEXMO |



MATERIAL:
 All materials to be compliant with The Restriction of Hazardous Substances (ROHS2) Directive 2011/65/EU

TOLERANCES U O S:
 GENERAL ± 0.25 HOLE CENTRES ± 0.10
 HOLE SIZES ± 0.05 ANGULAR DIMS ± 0.50°

FINISH:
 SEE NOTE

DRAWING
 MAIN ASSY

UNIT ZEDi-10

PART
 No 007-172

DRAWING No
 Zedi-10 Weights and Dims

ALLEN & HEATH Ltd.
 KERNICK INDUSTRIAL ESTATE
 PENRYN CORNWALL TR10 9LU
 TELEPHONE 01326 372070
 FACSIMILE 01326 370153

SHEET 1 of 1
ISSUE A